

# Various fixings and equipment



Various plates..... p. 84

Stainless steel fasteners  
for wood..... p. 85

Various tips for wood..... p. 86

Various screws..... p. 87

Various accessories..... p. 88

Studs anchor..... p. 89

Equipment..... p. 90

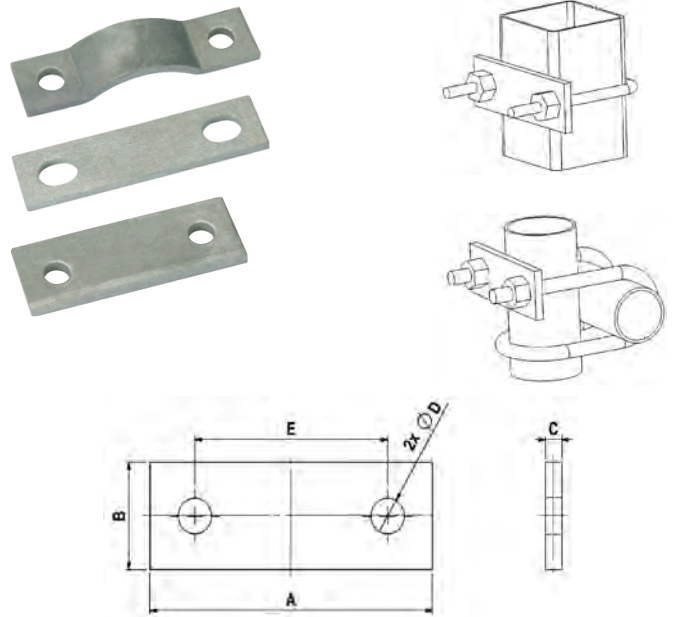
# Various plates

## Straight and curved plates

Straight or curved plates in hot-dip galvanized steel according to standard NF EN ISO 1461.

Description	Dimen A x B x C	Dim. D / E	Reference	Packaging
Curved plate from Ø 55 to Ø 60 mm	96.5 x 25 x 4	2 x Ø 10 oblongs from 63 to 67	902212-078	-
	95 x 25 x 4	2 x Ø 10 oblongs from 63 to 67	902211-078	-
Straight plate	85 x 25 x 4	2 x Ø 10 / 58	902210-078	-
	65 x 25 x 4	2 x Ø 10 / 38	902209-078	-
	70 x 25 x 4	2 x Ø 9 / 43	902207-078	-
	75 x 25 x 4	2 x Ø 10 / 48	902206-078	-
	100 x 30 x 5	2 x Ø 12 / 68	902205-078	-
	95 x 25 x 4	2 x Ø 10 / 68	902202-078	-
	85 x 30 x 5	2 x Ø 10 / 58	90207-078	-

Other dimensions possible, consult us.  
Stirrup bolt see page 58.

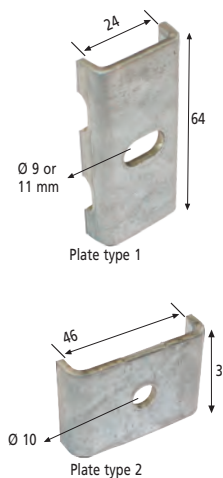


## U-shaped plates

3 mm thick hot-dip galvanized steel plates.  
Allows to maintain wires on all supports  
(contact us for the fasteners type).

Description	Ø hole	Reference	Packaging
Plate type 1	Ø 9 mm	120-058	25
	Ø 11 mm	8011-058	25
Plate type 2	Ø 10 mm	45-058	50

Possibility to made it in hot dip galvanized to increase the corrosion resistance, or colored it in epoxy treatment.



## Universal wire guide

Galvanized steel.

Used to lock a wire, on a metal or wooden posts.

Description	Reference	Packaging
Universal wire guide	3-042	100
Self-drilling screw TH P5 Ø 5.5 x 25 mm TK12 for metal support 1.5 to 5 mm thick	55025-091	100
Self-drilling screw TH P1 Ø 4.8 x 38 mm TK12 for wooden posts	48038-069	100

M6 bolt, reference 6015-044 or selfdrilling screw 4.8 x 16 mm for metal posts selfdrilling screw 4.8 x 38 mm, reference 48038-069 for wooden posts.



# Stainless steel fasteners for wood

## Stainless steel TCB wood screw

Made of A2 austenitic stainless steel, with special thread for wood.  
Screw with domed head Ø 13.5 mm and socket head Torx T30  
(tool ref. 5053-039).

Dimension	Reference	Packaging
6 x 45 mm	960045-004	100
6 x 60 mm	960060-004	100
6 x 65 mm	960065-004	100
6 x 75 mm	960075-004	100
6 x 85 mm	960085-004	100
6 x 100 mm	960100-004	100
7.5 x 65 mm	975065-004	100
7.5 x 75 mm	975075-004	100
7.5 x 100 mm	975100-004	100



Screw Ø 6 mm



Screw Ø 7.5 mm



## Stainless steel TF wood screw

Made of A2 austenitic stainless steel, with special thread for wood.  
Countersunk screw with double cone and socket head Torx.

Dimension	Reference	Torx footprint	Packaging
4 x 30 mm	840030-004	T20	100
4 x 50 mm	840050-004	T20	100
4 x 60 mm	840060-004	T20	100
4 x 70 mm	840070-004	T20	100
4 x 80 mm	840080-004	T20	100
5 x 40 mm	850040-004	T25	100
5 x 100 mm	850100-004	T25	100
6 x 40 mm	860040-004	T25	100
6 x 45 mm	860045-004	T25	100
6 x 50 mm	860050-004	T25	100
6 x 60 mm	860060-004	T25	100
6 x 70 mm	860070-004	T25	100
6 x 80 mm	860080-004	T25	100
6 x 90 mm	860090-004	T25	100
6 x 100 mm	860100-004	T25	100
6 x 120 mm	860120-004	T25	100
6 x 130 mm	860130-004	T25	100
6 x 140 mm	860140-004	T25	100
6 x 160 mm	860160-004	T25	100
8 x 180 mm	860180-004	T40	100
8 x 200 mm	860200-004	T40	100
8 x 220 mm	860220-004	T40	100
8 x 240 mm	860240-004	T40	100
8 x 260 mm	860260-004	T40	100
8 x 280 mm	860280-004	T40	100
8 x 300 mm	860300-004	T40	100

T20 tool ref 5051-039 • T25 tool ref 5052-039 • T40 tool ref 5054-039.

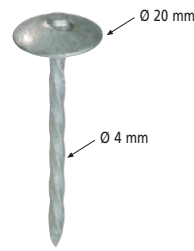


# Various tips for wood

## Umbrella head twist tip

Dimension	Reference	Weight %	Packaging
4 x 40 mm galvanized	4040-017	7	100
4 x 60 mm galvanized	4060-017	8	100
4 x 60 mm stainless steel	4060-004	8	100
4 x 70 mm galvanized	4070-017	9	100
4 x 80 mm galvanized	4080-017	10	100
4 x 90 mm galvanized	4090-017	11	100
4 x 100 mm galvanized	4100-017	12	100
4 x 120 mm galvanized	4120-017	14	100

Colored tips, on request.



## Rolled tip

in zinc plated steel.

Dimension	Reference	Weight %	Packaging
3.2 x 40 mm	23240-017	2.5	500
4 x 50 mm	24050-017	6.0	500
5 x 80 mm	25080-017	12.0	100
5 x 100 mm	25100-017	14.0	100



## Round head stainless steel tip

in 18/10 stainless steel (AISI 304).  
Head: Ø 4.8 mm for Ø 2.5 mm tip  
Ø 5.7 mm for Ø 2.8 mm tip.

Dimension	Reference	Weight %	Packaging
2,5 x 30 mm	2530-004	1.5	500
2,5 x 40 mm	2540-004	1.7	500
2,8 x 50 mm	2850-004	2.2	100
2,8 x 60 mm	2860-004	3.0	100
2,8 x 70 mm	2870-004	3.3	100
2,8 x 80 mm	2880-004	3.6	100



## Round head aluminium tip

made of aluminium alloy.

Dimension	Reference	Weight %	Packaging
5 x 60 mm	15060-017	2.5	100
5 x 80 mm	15080-017	3.0	100
5 x 90 mm	15090-017	4.0	100
5 x 100 mm	15100-017	5.0	100
5 x 120 mm	15120-017	6.0	100



# Various screws

## Galvanized wood screw

Galvanized wood screw, to be screwed or hit, with hexagonal head (H10 for Ø 6 mm wood screws and H13 for Ø 8 mm wood screws).

Dimension	Reference to screw	Reference to hit	Packaging
6 x 40 mm	6040-021	–	100
6 x 60 mm	6060-021	–	100
6 x 65 mm	6065-021	66065-019	100
6 x 80 mm	6080-021	66080-019	100
6 x 90 mm	–	66090-019	100
6 x 100 mm	60100-021	–	100
8 x 60 mm	8060-021	8060-019	100
8 x 80 mm	8080-021	8080-019	100
8 x 100 mm	80100-021	80100-019	100
8 x 120 mm	80120-021	180120-019	100
8 x 140 mm	80140-021	180140-019	100

Other lengths available, consult us.



Wood screw to screw



Hammer drive wood screw



## Self-drilling screws

Zinc-plated self-drilling screws with hexagonal head. P1 for fixing in wood. P5 for metal support 1.5 to 5 mm thick and P13 for metal support 5 to 13 mm thick.

Screw P1		P5 screw		P13 screw	
Sun.	Reference	Sun.	Reference	Sun.	Reference
6.3 x 19 mm	63019-069	6.3 x 22 mm	63022-051	5.5 x 35 mm	55035-068
6.3 x 38 mm	63038-069	6.3 x 25 mm	63025-051	5.5 x 50 mm	55050-068
6.3 x 55 mm	63055-069	6.3 x 35 mm	63035-051	5.5 x 67 mm	55067-068
6.3 x 65 mm	63065-069	6.3 x 45 mm	63045-051	5.5 x 80 mm	55076-068
6.3 x 75 mm	63075-069	6.3 x 55 mm	63055-051	5.5 x 100 mm	55100-068
6.3 x 100 mm	63100-069	6.3 x 65 mm	63065-051	5.5 x 115 mm	55115-068
6.3 x 130 mm	63130-069	6.3 x 75 mm	63075-051	5.5 x 125 mm	55125-068
6.3 x 150 mm	63150-069	6.3 x 85 mm	63085-051	5.5 x 140 mm	55140-068
6.3 x 170 mm	63170-069	6.3 x 100 mm	63100-051	5.5 x 170 mm	55170-068
6.3 x 200 mm	63200-069	6.3 x 120 mm	63120-051	5.5 x 190 mm	55190-068
6.3 x 230 mm	63230-069	6.3 x 130 mm	63130-051	5.5 x 210 mm	55210-068
		6.3 x 160 mm	63160-051		
		6.3 x 180 mm	63180-051		
		6.3 x 200 mm	63200-051		
		6.3 x 220 mm	63220-051		
		6.3 x 250 mm	63250-051		
		6.3 x 270 mm	63270-051		

Packaging per 100 pieces.



## Metal socket

L45 clip-on socket with 1/4" shank for screwdriver.

Hexagon	Reference	Packaging
H 8	4498-039	1
H 10	4499-039	1
H 13	4500-039	1

Other lengths available, on request.



# Various accessories

## Zinc plated HH screw and nut

Hexagon head screw and nut, in zinc-plated steel, for bolting elements.

Description	Hexagonal dim.	Reference	Packaging
Screw TH Zn - 6 x 15 mm	10	6015-008	100
Screw TH Zn - 6 x 25 mm	10	6025-008	100
Screw TH Zn - 8 x 30 mm	13	8030-008	100
Screw TH Zn - 8 x 60 mm	13	8060-008	100
M6 nut	10	6-016	100
M8 nut	13	8-016	100

Available in stainless steel, on request.



## Threaded piton

Piton with a hexagonal head (10 mm across flat) with M6 threaded part and a zinc-plated screw of your choice.

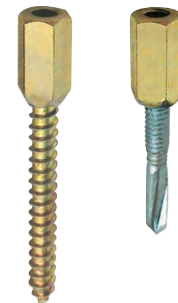
Description	Support	Reference	Packaging
Threaded piton with wood screw - 6.3 x 55 mm	Wood	163055-090	100
Threaded piton with self-drilling screw P5 - 6.3 x 25 mm	Metallic th. 1.5 to 5 mm	63025-090	100
Threaded piton with self-drilling screw P13 - 5.5 x 35 mm	Metallic th. 5 to 13 mm	55035-090	100



## Tapped piton

Piton with a hexagonal head (10 mm across flat) with M6 tapped part and a zinc-plated screw of your choice.

Description	Support	Reference	Packaging
Tapped piton with wood screw - 6.3 x 55 mm	Wood	163055-092	100
Tapped piton with self-drilling screw P5 - 6.3 x 25 mm	Metallic th. 1.5 to 5 mm	63025-092	100
Tapped piton with self-drilling screw P13 - 5.5 x 35 mm	Metallic th. 5 to 13 mm	55035-092	100



## Threaded rod and nut

Fully threaded rod, one meter long, in zinc plated steel.

Sun.	Reference rod	Reference nut	Reference washer
M 6	61000-011	6-016	160701-024
M 8	81000-011	8-016	180915-016
M10	101000-011	10-016	221120-016



## Connection tapped sleeve

Coupling sleeves for threaded rods, in zinc plated steel.

Description	Reference	Packaging
M6-M6	20-016	100
M8-M8	30-016	100
M6-M8	888888-053	100



# Studs anchor

## Bolt anchor

Bolt anchor for securing post bases and accessories in compact concrete support.

Dimensions	Reference zinc plated	Reference stainless steel	Tightening capacity	Packaging
8 x 75 mm	508075-082	808075-082	5	100
8 x 90 mm	508090-082	808090-082	20	100
10 x 90 mm	510090-082	810090-082	10	100
10 x 120 mm	510120-082	810120-082	40	50
12 x 110 mm	512110-082	812110-082	18	50
12 x 140 mm	512140-082	812140-082	48	50

Other dimensions available, on request.



## Metal sleeve anchor

Metal sleeve anchor with anti-rotation washer. Fastening in compact concrete.

Head	Dim.	Material	Reference	Packaging
Hexagonal H13	10 x 60	Galvanized steel	610060-082	100
Countersunk	12 x 70	A2 stainless steel	991270-082	100
Countersunk	12 x 110	A2 stainless steel	991210-082	100



## Nylon plugs with zinc-plated screw

Polyamide PA6 anchor plugs and steel screws. The corrosion protection consists of a metallic coating (electrolytic zinc plating), for use in a protected environment.

Head	Dimensions	Reference	Packaging
Hexa. H10	8 x 80 mm	408080-082	50
Hexa. H10	8 x 100 mm	408100-082	50
Hexa. H13	10 x 80 mm	410080-082	50
Hexa. H13	10 x 100 mm	410100-082	50
Countersunk T30	8 x 80 mm	318080-082	100
Countersunk T30	8 x 100 mm	318100-082	100
Countersunk T30	8 x 120 mm	318120-082	100
Countersunk T30	8 x 140 mm	318140-082	100
Countersunk T40	10 x 80 mm	310080-082	100
Countersunk T40	10 x 100 mm	310100-082	100
Countersunk T40	10 x 120 mm	310120-082	100
Countersunk T40	10 x 140 mm	310140-082	100
Countersunk T40	10 x 160 mm	310160-082	100



# Equipment

## Orange coat

With reflective stripes.

Size	Reference
S	900004-047
M	900000-047
L	900001-047
XL	900002-047
XXL	900003-047

Coat subject to change. Please ask for details.

Packing: 1 pc.



## Backpack

Backpack with reinforcements allowing the transport of hammered anchors, hammer...

Description	Dimensions	Reference
Backpack	450 x 330 x 160 mm	901000-047
Reinforcement plate	300 x 160 x 20 mm	901001-047

Packing: 1 pc.



Canvas reinforcements with weft.



## Working belt

Practical, the working belt allows to browse the vineyard with the few essential tools on-hand, while keeping your hands free. And to receive various accessories, the Fenox belt is equipped with two large pockets.

Description	Reference
Belt	3000-097
Belt + 500 standard wooden clips	1-042
Belt + 50 spreader tips	2-042



## Fenox cap

Comfortable cap, green with Fenox logo.  
Unique size.

Description	Reference
Cap	44-097

